

New Products

KODEN

19-inch Color LCD / Black Box type
Marine Radar

MDC-7900/7000 Series

Reliable Quality of Safety



MDC-7000



MDC-7900



MDC-7000

MDC-7900 Series

MDC-7060 / MDC-7006 : 6 kW
 MDC-7010 / MDC-7012 / MDC-7910 / MDC-7912 : 12 kW
 MDC-7020 / MDC-7025 / MDC-7920 / MDC-7925 : 25 kW

4 feet / 6 feet Open
 6 feet / 9 feet Open
 6 feet / 9 feet Open

MDC-7900 Series provides outstanding performance and clear image by 19-inch high resolution SXGA display plus anti-reflection coating. MDC-7000 Black Box radars connect to any SXGA type display(owner supplied).

Model	Black Box type			19-inch Display type	
Standard model	MDC-7060	MDC-7010	MDC-7020	MDC-7910	MDC-7920
CE model	MDC-7006	MDC-7012	MDC-7025	MDC-7912	MDC-7925

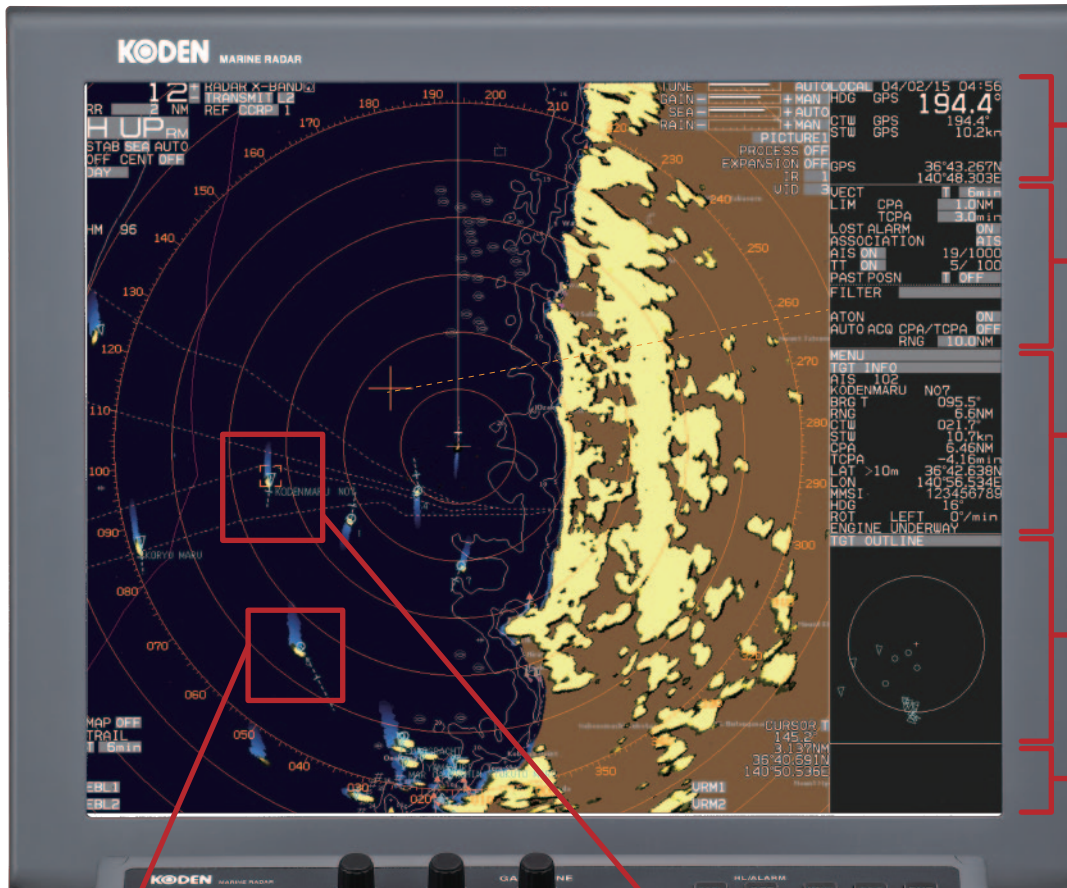
Features

- Clear image with High-speed sampling in short range (3 times faster than existing models)
- Capable advanced video adjustment (Video level : 8→16)
- Auto gain with simple operation
- Improved visibility of the display by auto STC
- Simple and easy operation by trackball unit via USB
- Brushless motor adopted (12kW / 25kW)
 No longer replace brush and less noise of motor (CE model only)

Map Overlay

C-Map chart (NT MAX)** is overlaid on the radar screen to provide clear radar pictures of coastlines, buoys, and other features. C-Map NT MAX "World Wide" back ground chart is built-in as standard.

**Owner supplied. Basic chart information only. Extra features of C-Map such as photo indication are not available.



Data Display

Own ship data

TT (ARPA) , AIS information

Target information

Assistant display
(Navigation information)

Alarm display

TT (ARPA)



Built-in TT (ARPA) tracks up to 100 targets. Selectable auto acquisition or manual acquisition.

AIS



Built-in AIS interface for displaying up to 1000 targets.

Standard model

MDC-7060	: 6 kW	4 feet / 6 feet Open
MDC-7010 / MDC-7910	: 12 kW	6 feet / 9 feet Open
MDC-7020 / MDC-7920	: 25 kW	6 feet / 9 feet Open

CE model

MDC-7006	: 6 kW	4 feet / 6 feet Open
MDC-7012 / MDC-7912	: 12 kW	6 feet / 9 feet Open
MDC-7025 / MDC-7925	: 25 kW	6 feet / 9 feet Open

Standard model

SPECIFICATIONS

Antenna-scanner unit			
Model	MDC-7060	MDC-7010 / MDC-7910	MDC-7020 / MDC-7920
Type	RB717A	RB718A	RB719A
Antenna type	Open antenna		
Antenna length	4 feet / 6 feet	6 feet / 9 feet	
Output power (Peak)	6 kW	12 kW	25 kW
Output frequency	9410 MHz ± 30 MHz		
Horizontal beam width	4 feet : 1.8° / 6 feet : 1.2° / 9 feet : 0.8°		
Vertical beam width	4, 6 feet: 22° / 9 feet : 25°		
Rotation	24 rpm or 36 rpm or 48 rpm		
IF center frequency	60 MHz		
Range accuracy	8 meters or 1% of the range scale selected, whichever is the greater		
Minimum detecting distance	Within 40 m		
Range resolution	Within 40 m		
Warm-up time	2 min	3 min	
Pulse width	0.08 us, 0.15 us, 0.3 us, 0.4 us, 0.6 us, 0.8 us, 1.2 us		

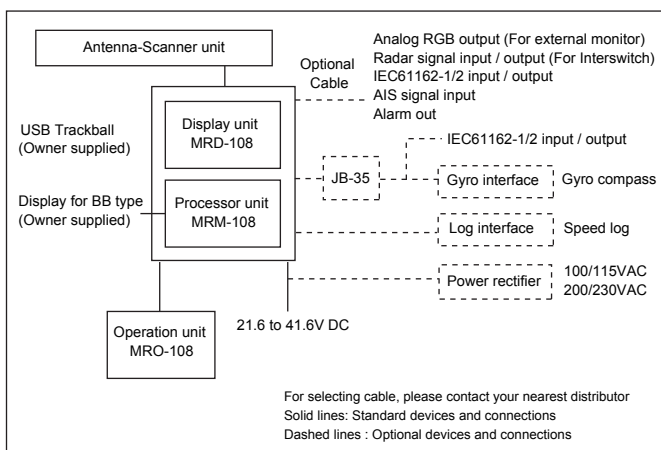
Environmental	
Operating temperature	-25°C to +55°C
Water Protection	IPX6

Display unit / Processor unit			
Model	MDC-7060	MDC-7010/ MDC-7910	MDC-7020 / MDC-7920
Display unit	-	MRD-108 (MDC-7900 only)	
Display size and type	19" color TFT LCD / Any monitor with SXGA or higher grade resolution (owner supplied)		
Processor unit	MRM-108 (MDC-7000 only)		
Effective diameter	282 mm (MDC-7900 only)		
Display resolution	1280 x 1024 pixels (SXGA)		
Off-centering	Max. 72 %		
Echo area	2 types (Full screen, Inside of effective diameter)		
Range Scales	0.125 0.25 0.5 0.75 1.5 3 6 12 24 48 64 96		
Range interval	0.0625 0.125 0.25 0.5 1 2 4 8 16 16		
	(64 NM: 6 kW, 12 kW only, 96 NM: 25 kW only)		
Presentation modes	Head-up, North-up (True motion)*, North-up (Relative motion)*, Course-up (True motion)*, Course-up (Relative motion)*		
Video levels	16		
Range unit	NM, km, sm		
Functions	C-Map chart, CFAR (Clutter rejection), Interference rejection, Target expansion, Process (Averaging), VRM, EBL, Parallel index, ERBL, Cursor position, Bearing (true/relative), Trail (true/relative)*, Own ship past track*, MAP (Event mark* etc.), Analog RGB Monitor, Trial Manoeuvre*		
Input data format and sentences	IEC61162-1 / -2 BWC, DBT, DPT, DTM, GGA, GLC, GLL, GNS, HDG, HDT, HDM, MTW, RMA, RMB, RMC, ROT, RTE, THS, VBW, VDR, VHW, VTG, WPL, XTE, ZDA		
Output data format and sentences	IEC61162 -1 / -2 DTM, EVE, GLL, HBT, HDT, ROT, RSD, OSD, POS, THS, TLB, TLL, TTD, TTM, VBW, VDR, VHW, VTG, ZDA		
AIS interface*	1000 Targets (Standard)		
TT (ARPA)*	Auto / Manual 100 Targets (Standard)		
Power supply	21.6 to 41.6 VDC		
Power Consumption (at 24 VDC)	130 W or less	150 W or less	200 W or less

Environmental	
Operating temperature	-15°C to +55°C
Water Protection	Front panel and operation unit : IP23

* Requires heading, speed, and / or position signal input from external equipment including GPS Compass depending on application of user.

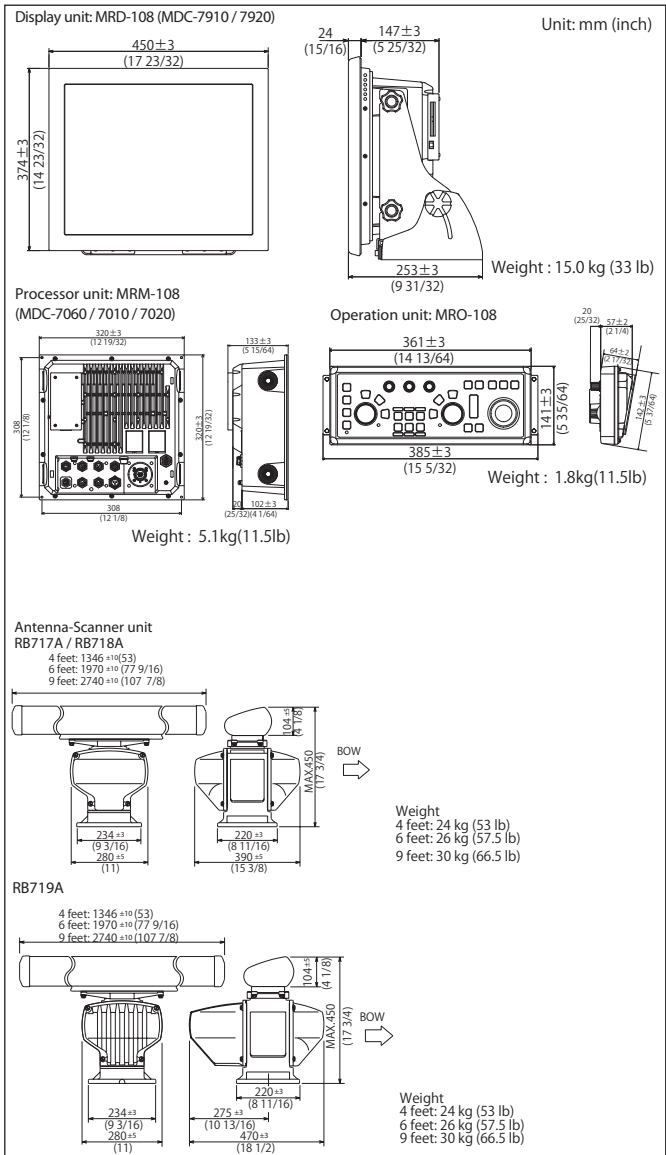
CONNECTIONS



EQUIPMENT LIST

Standard Equipment		
Scanner unit	RB717A	6 kW
	RB718A	12 kW
	RB719A	25 kW
Antenna unit	RW701A-04	4 feet
	RW701A-06	6 feet
	RW701B-09	9 feet
Display unit (MDC-7900 only)	MRD-108	
Processor unit (MDC-7000 only)	MRM-108	
Operation unit	MRO-108	With 2 m connecting cable
Connecting cable	242J159098B-15M	15 m with connectors on both ends
DC power cable	CW-259-2M	2 m
Operation manual, Installation manual, Installation material, Fuse		
Option		
Gyro interface unit, Log interface unit, Power rectifier, AC power cable, Connecting cables, Junction Box		

DIMENSIONS AND WEIGHT



SPECIFICATIONS

Antenna-scanner unit			
Model	MDC-7006	MDC-7012 / MDC-7912	MDC-7025 MDC-7925
Type	RB807	RB808	RB809
Antenna type	Open antenna		
Antenna length	4 feet / 6 feet	6 feet / 9 feet	
Output power (Peak)	6 kW	12 kW	25 kW
Output frequency	9410 MHz ± 30 MHz		
Horizontal beam width	4 feet : 1.8° / 6 feet : 1.2° / 9 feet : 0.8°		
Vertical beam width	4, 6 feet: 22° / 9 feet : 25°		
Rotation	24 rpm or 36 rpm or 48 rpm		
IF center frequency	60 MHz		
Range accuracy	8 meters or 1% of the range scale selected, whichever is the greater		
Minimum detecting distance	Within 40 m		
Range resolution	Within 40 m		
Warm-up time	2 min	3 min	
Pulse width	0.08 us, 0.15 us, 0.3 us, 0.4 us, 0.6 us, 0.8 us, 1.2 us		

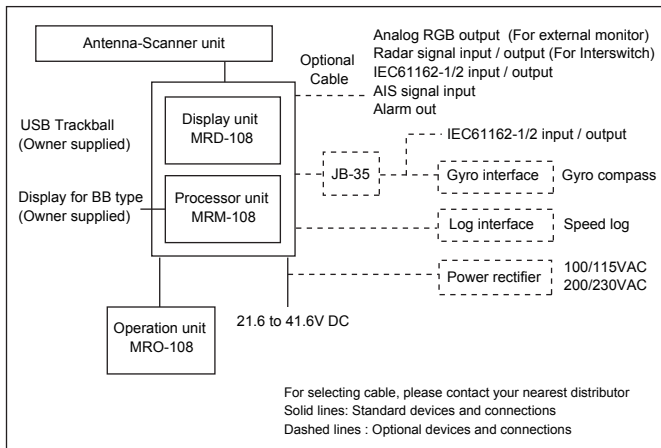
Environmental	
Operating temperature	-25°C to +55°C
Water Protection	IPX6

Display unit / Processor unit			
Model	MDC-7006	MDC-7012 / MDC-7912	MDC-7025 / MDC-7925
Display unit	-	MRD-108 (MDC-7900 only)	
Display size and type	19" color TFT LCD / Any monitor with SXGA or higher grade resolution (owner supplied)		
Processor unit	MRM-108 (MDC-7000 only)		
Effective diameter	282 mm (MDC-7900 only)		
Display resolution	1280 x 1024 pixels (SXGA)		
Off-centering	Max. 72 %		
Echo area	2 types (Full screen, Inside of effective diameter)		
Range Scales	0.125 0.25 0.5 0.75 1.5 3 6 12 24 48 64 96		
Range interval	0.0625 0.125 0.25 0.5 1 2 4 8 16 16		
	(64 NM: 6 kW, 12 kW only, 96 NM: 25 kW only)		
Presentation modes	Head-up, North-up (True motion)*, North-up (Relative motion)*, Course-up (True motion)*, Course-up (Relative motion)*		
Video levels	16		
Range unit	NM, km, sm		
Functions	C-Map chart, CFAR (Clutter rejection), Interference rejection, Target expansion, Process (Averaging), VRM, EBL, Parallel index, ERBL, Cursor position, Bearing (true / relative), Trail (true / relative)*, Own ship past track*, MAP (Event mark* etc.), Analog RGB Monitor, Trial Manoeuvre*		
Input data format and sentences	IEC61162-1 / -2		
	BWC, DBT, DPT, DTM, GGA, GLC, GLL, GNS, HDG, HDT, HDM, MTW, RMA, RMB, RMC, ROT, RTE, THS, VBW, VDR, VHW, VTG, WPL, XTE, ZDA		
Output data format and sentences	IEC61162-1 / -2		
	DTM, EVE, GLL, HBT, HDT, ROT, RSD, OSD, POS, THS, TLB, TLL, TTD, TTM, VBW, VDR, VHW, VTG, ZDA		
AIS interface*	1000 Targets (Standard)		
TT (ARPA)*	Auto / Manual 100 Targets (Standard)		
Power supply	21.6 to 41.6 VDC		
Power Consumption (at 24 VDC)	130 W or less	150 W or less	200 W or less

Environmental	
Operating temperature	-15°C to +55°C
Water Protection	Front panel and operation unit : IP23

* Requires heading, speed, and / or position signal input from external equipment including GPS Compass depending on application of user.

CONNECTIONS

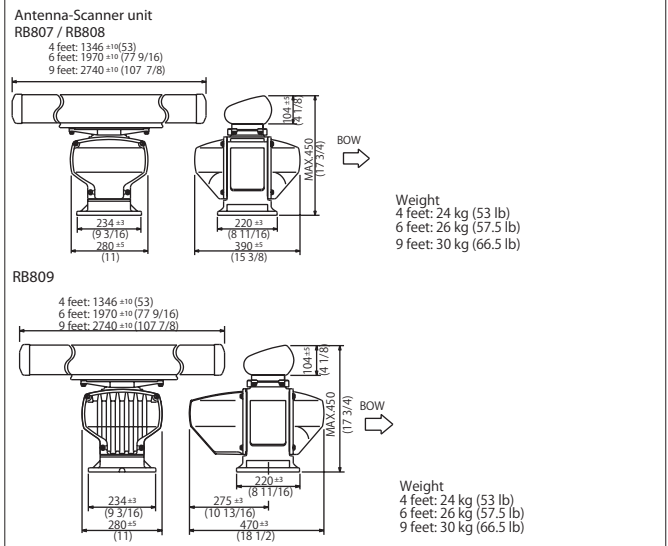
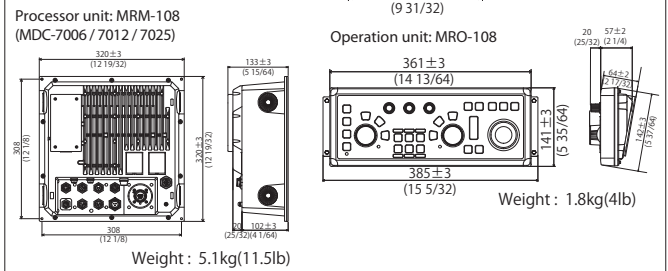
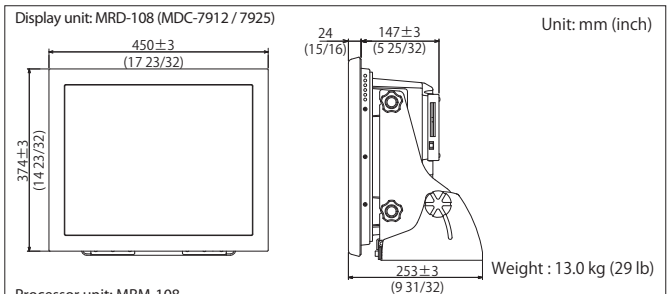


EQUIPMENT LIST

Standard Equipment		
Scanner unit	RB807	6 kW
	RB808	12 kW
	RB809	25 kW
Antenna unit	RW701A-04	4 feet
	RW701A-06	6 feet
	RW701B-09	9 feet
Display unit (MDC-7900 only)	MRD-108	
Processor unit (MDC-7000 only)	MRM-108	
Operation unit	MRO-108	With 2 m connecting cable
Connecting cable	CW-845-15M	15 m with connectors on both ends
DC power cable	CW-259-2M	2 m
Operation manual, Installation manual, Installation material, Fuse		

Option
Gyro interface unit, Log interface unit, Power rectifier, AC power cable, Connecting cables, Junction Box

DIMENSIONS AND WEIGHT



• Design and specifications are subject to change without notice.

KODEN Kodon Electronics Co., Ltd.

Tamagawa Office:
2-13-24 Tamagawa, Ota-ku, Tokyo, 146-0095 Japan
Tel: +81-3-3756-6501 Fax: +81-3-3756-6509
Uenohara Office:
5278 Uenohara, Uenohara-shi, Yamanashi, 409-0112 Japan
Tel: +81-554-20-5860 Fax: +81-554-20-5875

overseas@koden-electronics.co.jp

www.koden-electronics.co.jp



Safety precaution To ensure proper and safe use of the equipment, please carefully read and follow the instructions in the Operation Manual.

For details, please contact: